



- Standard Capacity: 1.500 LT/H (400 GAL/H)
- Standard Pressure: 220 BAR (3.200 PSI)
- Standard Power: 11 kW

HIGH-PRESSURE HOMOGENIZER  
H.P. PISTON PUMP

INNOVATIVE  
MANUFACTURING  
*Brand*

## Advantages

- High capacity at low RPM, saving energy
- Efficient homogenization
- Low maintenance costs
- Easy access for maintenance
- Hygienic and ergonomic desing
- Immediate spate parts availability
- Competitive pricing and on time delivers
- Pro-active competent customer service and support
- Suitable for abrasive and high viscosity products

## Options

- 2nd stage homogenizing head
- Plungers in ceramic
- Automation and remote control
- Digital pressure gauge
- Variable frequency drive (VFD)
- Inlet pressure gauge
- Aseptic and sanitary version
- ATEX Compliance
- cGMP support and certification

## APPLICATION

### Dairy



Milk, UHT Milk,  
Soy Milk, Oat Milk  
Yoghurt, Ayran  
Kefir  
Ice Cream  
Gelato

Labneh, Kashta  
Cream Cheese  
Mascarpone  
Desserts  
Milk Powder  
Spray Dried Products

### Food & Beverage



Fruit Juices  
Fruit Concentrate  
Aromas / Cloudifiers  
Food Emulsions  
Ketchup / Tomato Paste  
Margarine

Tahina  
Hummus  
Caramel Sauce  
Topping Sauce  
Dressing  
Peanut / Hazelnut Paste

### Chemicals and Petrochemical



Greas  
Lubricants  
Paraffin Emulsions  
Silicone Emulsions  
Wax Emulsions  
Mineral oil Emulsions

Polymer Suspensions  
Fungicides, Herbicides  
Latex  
Paint  
Detergents

### Cosmetics



Hair Products  
Beauty Creams  
Moisturizing Creams  
Lotion  
Shampoos  
Half Conditioners

Nail Polishes  
Lipsticks  
Toothpaste  
Collagen  
Perfume  
Waxes

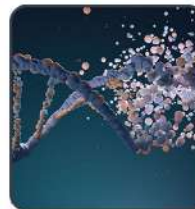
### Pharmaceuticals



Antibiotics  
Creams  
Antacids  
Tablet Coatings  
Liposomes  
Ointments

Syrups  
Vitamins  
Proteins  
Gels  
Vaccines

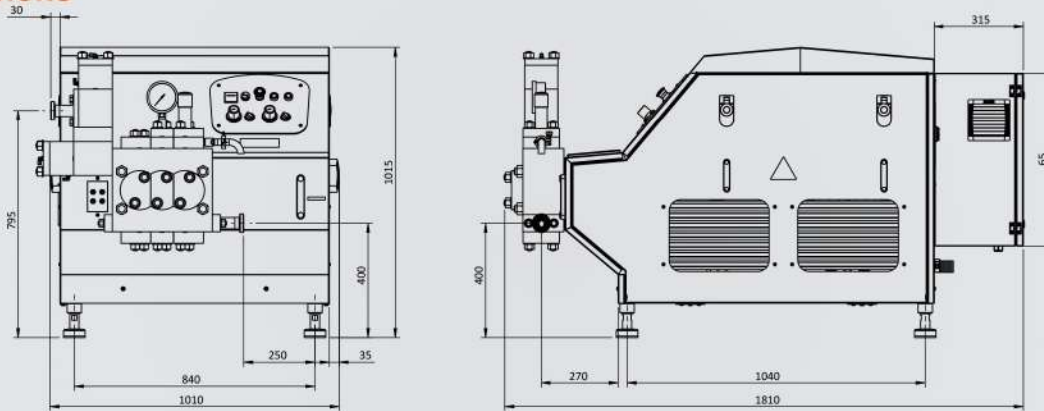
### Biotechnology



Proteins  
Yeast  
Vitamins  
Bacteria  
Enzymes  
Liposomes

Viruses  
Moss  
Probiotics  
Microorganisms  
Algae  
Celluloses

## Dimensions



LENGTH mm/in	WIDTH mm/in	HEIGHT mm/in	NET WEIGHT kg/lbs	GROSS WEIGHT kg/lbs	INLET / OUTLET
1810 71	1010 40	1015 40	800 1764	1100 2425	DN40 DN50

Measure in mm/in

## Compression Head

- Moonblock head formed by single forged block in high quality SS alloy
- 3-D CAD design, engineered using, FEM and CFD Analysis
- INNOTION function integrating technical R&D and technology focus.
- Surface Roughness: Ra<1.6µm, Ra<0.8µm, Ra<0.5µm (electropolished)
- Designed to avoid sharp edges and stress concentration
- Overpressure relief valve installed
- 10-year warranty against cracks and defects

## Homogenizing Valve

- Designed to be energy efficient with high stability
- Homogenization pressure pneumatic regulating system
- Tungsten carbide, cobalt carbide, Zirconium ceramic and silicon nitride, solid ceramic available as option

## Pump Valves

- Mushroom and ball type in high wear resistant SS alloy
- Stellite and tungsten carbide materials available as option
- Designed symmetrically to be used twice-once on each time

## Pump Body (Gearbox)

- High resistant resin reinforced cast iron
- Heavy duty engineered and vibrationless
- AC motor drive through V belts and pulleys with integrated

## Frame

- Thick stainless-steel material is used for heavy load

## Plungers

- Chrome coated stainless-steel alloy
- Ceramic, HCR chromium and tungsten carbide coated as option
- Solid ceramic as option

## Sealing Components

- Long Lasting Food-grade hygienic material
- EPDM, NBR, FKM, PE, PTFE, ZEDEX, PEEK, TIVAR, Kevlar
- Available with FDA approval

## Technical Data

Motor Power	11 kW
Number of Plungers	3
Lubrication Oil ISO VG 150	16 L
Gear Reducer Oil ISO VG 320	3 L
Water Consumption	60 L

## Performance

Max. Capacity		Max. Pressure	
LT/H	GAL/H	BAR	PSI
2000	530	180	2600
1500	400	220	3200
1000	260	300	4400
750	200	400	5800
500	130	500	7250
300	80	800	11600
200	50	1200	17500
150	40	1500	22000

\*Special desing & manufacturing are made for different pressures & capacities.

The information contained in this flyer merely serves as a non-binding description of our products and is without guarantee. Binding information in particular relating to capacity data and suitability for specific application can only be provided within the framework of concrete.



HOMMAK®  
Machinery Industry and Trade Inc.

+90 232 257 54 44

info@hommak.com www.hommak.com

Balkan Caddesi No:29 Yazıbaşı / Torbalı - İZMİR

INNOVATIVE  
MANUFACTURING  
Brand

